



ADDIMAX CABLE LUGS & FERRULES



ADDIMAX
www.addison-cables.com



ADDIMAX Cable Lugs & Ferrules

Cable Lugs & Ferrules

Cable Lugs & Ferrules



» Applications

Cable lugs & ferrules are connecting devices used for joining and terminating cable & wire conductors in electrical installations and equipments.

In general, lugs & ferrules are fixed to the cables and wires by inserting the conductors into the tube of the device and squeezing the tube onto the conductors to form a secure mechanical and electrical joint.

ADDIMAX cable lugs & ferrules have many different designs to suit various cable and wire types and specific installation requirements.

» Options

- » Standard duty copper lugs for use with copper cables and wires in general industrial, commercial and domestic applications.

- » Heavy duty copper lugs for use with copper cables and wires in specialised applications such as medium and high voltage electrical reticulation systems.

- » Aluminium lugs for use with aluminium cables in electrical reticulation systems.

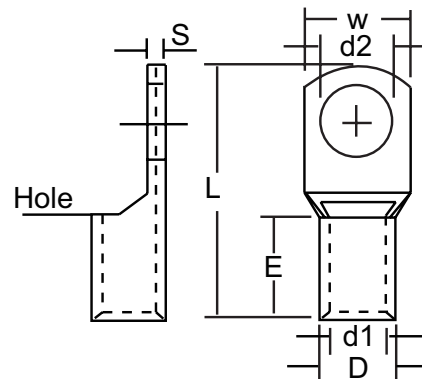
- » Copper and Aluminium shear lugs for applications where crimping equipment cannot be used.

- » Bi-metal lugs for mating copper and aluminium conductors to prevent dissimilar metal corrosion.

Cable Lugs & Ferrules

» Dimensions

Copper Tubular Lugs (Copper Terminal Body & Tin Plating)



Ordering Code	Wire Range mm ² (AWG)	Stud Size		Dimension (mm)						
		Metric	American	d2	W	d1	D	L	E	S
CL1.5-5	0.5-1.5 (22-16)	5	#10	5.3	8.0	1.8	3.3	16.0		
CL2.5-4	1.5-2.5 (16-14)	4	#8	4.3	8.0	2.4	4.0	19.6		
CL2.5-5		5	#10	5.3						
CL2.5-6		6	1/4"	6.5						
CL4-4	2.5-4 (14-12)	4	#8	4.3	10.0	3.1	4.8	21.0		
CL4-5		5	#10	5.3						
CL4-6		6	1/4"	6.5						
CL6-4	4-6 (12-10)	4	#8	4.3	10.0	3.8	5.5	25.5		
CL6-5		5	#10	5.3						
CL6-6		6	1/4"	6.5						
CL10-6	10 (8)	6	1/4"	6.5	12.6	4.5	6.2	27.0		
CL10-8		8	5/16"	8.4						
CL16-6	16 (6)	6	1/4"	6.5	12.6	5.5	7.2	29.5		
CL16-8		8	5/16"	8.4						
CL25-6	25 (4)	6	1/4"	6.5	15.0	7.0	9.0	33.0		
CL25-8		8	5/16"	8.4						
CL25-10		10	3/8"	10.5						
CL35-6	35 (2)	6	1/4"	6.5	15.2	8.2	10.6	38.0	14.2	2.5
CL35-8		8	5/16"	8.4						
CL35-10		10	3/8"	10.5						
CL50-8	50 (1/0)	8	5/16"	8.4	18.5	10.0	13.0	44.5	18.0	2.9
CL50-10		10	3/8"	10.5						
CL50-12		12	1/2"	13.0						
CL70-8	70 (2/0)	8	5/16"	8.4	21.4	11.5	15.0	54.2	20.4	3.5
CL70-10		10	3/8"	10.5						
CL70-12		12	1/2"	13.0						



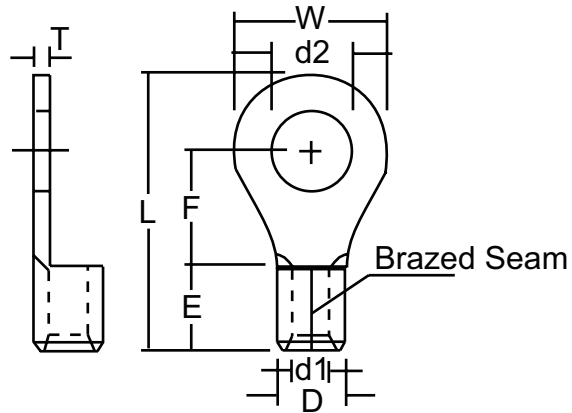
ADDIMAX Cable Lugs & Ferrules

Cable Lugs & Ferrules

Ordering Code	Wire Range mm ² (AWG)	Stud Size		Dimension (mm)						
		Metric	American	d2	W	d1	D	L	E	S
CL95-10	95 (3/0)	10	3/8"	10.5	25.5	13.5	17.4	59.0	23.4	3.9
CL95-12		12	1/2"	13.0						
CL120-10	120 (4/0)	10	3/8"	10.5	28.3	15.5	19.9	66.7	24.6	4.5
CL120-12		12	1/2"	13.0						
CL120-14		14	9/16"	15.0						
CL120-16		16	5/8"	17.0						
CL150-12	150 (250/300)	12	1/2"	13.0	31.0	17.0	21.7	74.5	29.5	4.7
CL150-14		14	9/16"	15.0						
CL150-16		16	5/8"	17.0						
CL185-12	185 (300/350)	12	1/2"	13.0	34.2	19.0	24.0	81.4	32.5	5.0
CL185-14		14	9/16"	15.0						
CL185-16		16	5/8"	17.0						
CL240-14	240 (400/450)	14	9/16"	15.0	39.0	21.5	27.0	94.0	35.5	5.5
CL240-16		16	5/8"	17.0						
CL240-18		18	11/16"	19.0						
CL300-14	300 (500)	14	9/16"	15.0	44.0	24.5	31.0	103.2	42.0	6.5
CL300-16		16	5/8"	17.0						
CL300-18		18	11/16"	19.0						
CL300-20		20	3/4"	21.0						
CL300-22		22	7/8"	23.0						
CL300-24		24	15/16"	25.0						
CL400-14	400 (600/750)	14	9/16"	15.0	51.0	27.5	35.5	120.2	47.0	8.0
CL400-16		16	5/8"	17.0						
CL400-18		18	11/16"	19.0						
CL400-20		20	3/4"	21.0						
CL400-22		22	7/8"	23.0						
CL400-24	24	15/16"	25.0							
CL500-14	500 (630/1000)	14	9/16"	15.0	56.0	31.0	40.0	127.0	47.5	9.0
CL500-16		16	5/8"	17.0						
CL500-18		18	11/16"	19.0						
CL500-20		20	3/4"	21.0						
CL500-22		22	7/8"	23.0						
CL500-24	24	15/16"	25.0							
CL630-14	630 (1000/1250)	14	9/16"	15.0	63.0	34.5	44.5	140.0	156	10.0
CL630-16		16	5/8"	17.0						
CL630-18		18	11/16"	19.0						
CL630-20		20	3/4"	21.0						
CL630-22		22	7/8"	23.0						
CL630-24		24	11/16"	25.0						

Cable Lugs & Ferrules

Ring Terminals (Copper Terminal Body & Tin Plating)



Ordering Code	Wire Range mm ² (AWG)	Stud Size		Dimension (mm)											
		Metric	American	d2	W	F	L	E	D	d1	T				
CLR1.5-3	0.5-1.5 (22-16)	3	#4	3.2	5.5	5.0	12.5	4.8	3.4	1.7	0.75				
CLRS1.5-3.5		3.5	#6	3.7											
CLRM1.5-3.5		3.5	#6	3.7								6.6	6.3	14.4	
CLRL1.5-3.5		3.5	#6	3.7								8.0	7.0	15.8	
CLRS1.5-4		4	#8	4.3								6.6	6.3	14.4	
CLRM1.5-4		4	#8	4.3								8.0	7.0	15.8	
CLRS1.5-5		5	#10	5.3											
CLRM1.5-5		5	#10	5.3								11.6	11.0	21.8	
CLR1.5-6		6	1/4"	6.4											
CLR1.5-8		8	5/16"	8.4											
CLR1.5-10		10	3/8"	10.5	13.6	13.9	25.5								
CLR1.5-12		12	1/2"	13.0	19.2	16.0	30.4								
CLR1.5-14		14	9/16"	15.0	27.0	21.0	39.3								
CLR1.5-16		16	5/8"	17.0											
CLR1.5-20		20	3/4"	21.0	6.6	4.8	12.8								4.8
CLR2.5-3		3	#4	3.2											
CLRS2.5-3.5	3.5	#6	3.7	6.3				14.4							
CLRM2.5-3.5	3.5	#6	3.7	8.5				7.4	16.5						
CLRL2.5-3.5	3.5	#6	3.7	8.5				7.4	16.5						
CLRS2.5-4	4	#8	4.3	6.6				6.3	14.4						
CLRM2.5-4	4	#8	4.3	8.5				7.4	16.5						
CLRS2.5-5	5	#10	5.3												
CLRM2.5-5	5	#10	5.3	9.5				7.4	17.0						
CLR2.5-6	6	1/4"	6.4	12.0				11.0	21.8						
CLR2.5-8	8	5/16"	8.4	12.0				11.0	21.8						
CLR2.5-10	10	3/8"	10.5	13.6				13.9	25.5						
CLR2.5-12	12	1/2"	13.0	19.2				16.0	30.4						
CLR2.5-14	14	9/16"	15.0	27.0				21.0	39.3						
CLR2.5-16	16	5/8"	17.0												
CLR2.5-20	20	3/4"	21.0												



ADDIMAX Cable Lugs & Ferrules

Cable Lugs & Ferrules

Ordering Code	Wire Range mm ² (AWG)	Stud Size		Dimension (mm)											
		Metric	American	d2	W	F	L	E	D	d1	T				
CLR4-4	2.5-4 (14-12)	4	#8	4.3	8.0	8.0	18.0	6.0	5.1	2.9	1.0				
CLRS4-5		5	#10	5.3											
CLRM4-5		5	#10	5.3	12.0	9.4	21.4								
CLR4-6		6	1/4"	6.4											
CLR6-3	4-6 (12-10)	3	#4	3.2	7.2	6.1	15.7	6.0	5.6	3.4	1.0				
CLRS6-4		4	#8	4.3											
CLRM6-4		4	#8	4.3	9.5	8.3	19.0								
CLR6-5		5	#10	5.3											
CLRS6-6		6	1/4"	6.4	12.0	10.5	22.5								
CLRM6-6		6	1/4"	6.4											
CLR6-8		8	5/16"	8.4	15.0	13.3	27.0								
CLR6-10		10	3/8"	10.5											
CLR6-12		12	1/2"	13.0	19.2	16.0	31.6								
CLR6-14		14	9/16"	15.0											
CLR6-16		16	5/8"	17.0	32.0	25.2	47.2								
CLR6-20		20	3/4"	21.0											
CLR8-3.5	8 (8)	3.5	#6	3.7	8.0	9.3	21.5	8.5	7.2	4.5	1.2				
CLRS8-4		4	#8	4.3											
CLRM8-4		4	#8	4.3	12.0	9.3	23.8								
CLRS8-5		5	#10	5.3											
CLRM8-5		5	#10	5.3	12.0	9.3	29.8								
CLRL8-5		5	#10	5.3											
CLRS8-6		6	1/4"	6.4	12.0	9.3	23.8								
CLRM8-6		6	1/4"	6.4											
CLR8-8		8	5/16"	8.4	15.0	13.8	29.8								
CLR8-10		10	3/8"	10.5											
CLR8-12		12	1/2"	13.0	20.0	15.0	33.5								
CLR14-4		4	#8	4.3											
CLR14-5	5	#10	5.3	12.0	13.3	29.8	10.5	9.0	5.8	1.5					
CLRS14-6	6	1/4"	6.4												
CLRM14-6	6	1/4"	6.4	16.0	14.2	32.5									
CLR14-8	8	5/16"	8.4												
CLR14-10	10	3/8"	10.5	22.0	19.8	41.0									
CLR14-11	11	7/16"	11.5												
CLR14-12	12	1/2"	13.0												
CLR22-4	22 (4)	4	#8	4.3	12.2	15.1					33.2	12.0	11.5	7.7	1.7
CLRS22-5		5	#10	5.3											
CLRM22-5		5	#10	5.3	16.5	13.5					33.5				
CLRS22-6		6	1/4"	6.4											
CLRM22-6		6	1/4"	6.4	12.2	15.1					33.0				
CLR22-8		8	5/16"	8.4											
CLR22-10		10	3/8"	10.5	16.5	13.5	33.5								
CLR22-11		11	7/16"	11.5											
CLR22-12		12	1/2"	13.0	22.0	19.7	42.5								

Cable Lugs & Ferrules

Ordering Code	Wire Range mm ² (AWG)	Stud Size		Dimension (mm)							
		Metric	American	d2	W	F	L	E	D	d1	T
CLR38-5	38 (2)	5	#10	5.3	15.3	17.4	39.0	14.0	13.3	9.4	1.8
CLRS38-6		6	1/4"	6.4							
CLRM38-6		6	1/4"	6.4							
CLRS38-8		8	5/16"	8.4	15.3	17.4	39.0				
CLRM38-8		8	5/16"	8.4	22.0	17.7	42.7				
CLRS38-10		10	3/8"	10.5	15.3	17.4	39.0				
CLRM38-10		10	3/8"	10.5	22.0	17.7	42.7				
CLR38-11		11	7/16"	11.5							
CLR38-12		12	1/2"	13.0	22.0	20.7	49.7				
CLR60-6		6	1/4"	6.4							
CLR60-8	8	5/16"	8.4								
CLR60-10	10	3/8"	10.5								
CLR60-11	11	7/16"	11.5								
CLR60-12	12	1/2"	13.0								
CLR60-13	13	9/16"	14.0	18.0				15.4	11.4	1.8	
CLR60-14	14	9/16"	15.0								
CLR60-16	16	5/8"	17.0	32.0				23.5	57.5		
CLR60-18	18	11/16"	19.0								
CLR60-20	20	3/4"	21.0								
CLR60-22	22	7/8"	23.0								
CLR70-6	70 (2/0)	6	1/4"	6.4	24.0	20.0	50.0	18.0	17.5	13.3	2.0
CLR70-8		8	5/16"	8.4							
CLR70-8		10	3/8"	10.5							
CLR70-11		11	7/16"	11.5							
CLR70-12		12	1/2"	13.0							
CLR70-13		13	9/16"	14.0							
CLR70-14		14	9/16"	15.0	32.0	26.0	61.0				
CLR70-16		16	5/8"	17.0							
CLR70-18		18	11/16"	19.0							
CLR70-20		20	3/4"	21.0							
CLR70-22	22	7/8"	23.0								
CLR80-6	80 (3/0)	6	1/4"	6.4	27.0	20.7	54.2	20.0	19.5	14.5	2.3
CLR80-8		8	5/16"	8.4							
CLR80-10		10	3/8"	10.5							
CLR80-11		11	7/16"	11.5							
CLR80-12		12	1/2"	13.0							
CLR80-13		13	9/16"	14.0							
CLR80-14		14	9/16"	15.0	32.0	32.0	68.0				
CLR80-16		16	5/8"	17.0							
CLR80-18		18	11/16"	19.0							
CLR80-20		20	3/4"	21.0							
CLR80-22	22	7/8"	23.0								



ADDIMAX Cable Lugs & Ferrules

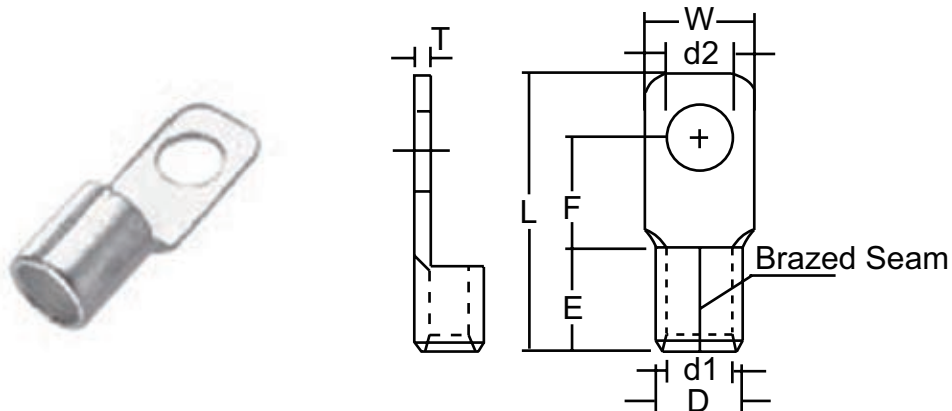
Cable Lugs & Ferrules

Ordering Code	Wire Range mm ² (AWG)	Stud Size		Dimension (mm)							
		Metric	American	d2	W	F	L	E	D	d1	T
CLR100-6	100 (4/0)	6	1/4"	6.4	28.5	20.4	55.6	21.0	22.1	16.4	2.7
CLR100-8		8	5/16"	8.4							
CLR100-10		10	3/8"	10.5							
CLR100-11		11	7/16"	11.5							
CLR100-12		12	1/2"	13.0							
CLR100-14		14	9/16"	15.0	32.0	32.0	69.0				
CLR100-16		16	5/8"	17.0							
CLR100-18		18	11/16"	19.0							
CLR100-20		20	3/4"	21.0							
CLR100-22		22	7/8"	23.0							
CLR150-8	150 (250/300)	8	5/16"	8.4	36.0	23.0	66.0	27.0	26.6	19.5	3.2
CLR150-10		10	3/8"	10.5							
CLR150-11		11	7/16"	11.5							
CLR150-12		12	1/2"	13.0							
CLR150-14		14	9/16"	15.0							
CLR150-16		16	5/8"	17.0	36.0	36.0	81.0				
CLR150-18		18	11/16"	19.0							
CLR150-20		20	3/4"	21.0							
CLR150-22		22	7/8"	23.0							
CLR150-24		24	15/16"	25.0							
CLR150-27	27	1"	28.0								
CLR180-8	180 (300/350)	8	5/16"	8.4	38.5	24.5	69.0	28.5	28.6	21.0	3.5
CLR180-10		10	3/8"	10.5							
CLR180-11		11	7/16"	11.5							
CLR180-12		12	1/2"	13.0							
CLR180-14		14	9/16"	15.0							
CLR180-16		16	5/8"	17.0	38.5	39.0	86.6				
CLR180-18		18	11/16"	19.0							
CLR180-20		20	3/4"	21.0							
CLR180-22		22	7/8"	23.0							
CLR180-24		24	15/16"	25.0							
CLR180-27	27	1"	28.0								
CLR200-8	200 (400/500)	8	5/16"	8.4	44.0	24.5	72.0	31.5	32.6	24.0	4.0
CLR200-10		10	3/8"	10.5							
CLR200-11		11	7/16"	11.5							
CLR200-12		12	1/2"	13.0							
CLR200-14		14	9/16"	15.0							
CLR200-16		16	5/8"	17.0	44.0	37.5	91.0				
CLR200-18		18	11/16"	19.0							
CLR200-20		20	3/4"	21.0							
CLR200-22		22	7/8"	23.0							
CLR200-24		24	15/16"	25.0							
CLR200-27	27	1"	28.0								

Cable Lugs & Ferrules

Ordering Code	Wire Range mm ² (AWG)	Stud Size		Dimension (mm)							
		Metric	American	d2	W	F	L	E	D	d1	T
CLR325-8	325 (500/600)	8	5/16"	8.4	50.5	33.5	88.0	35.5	37.6	28.0	4.3
CLR325-10		10	3/8"	10.5							
CLR325-11		11	7/16"	11.5							
CLR325-12		12	1/2"	13.0							
CLR325-14		14	9/16"	15.0							
CLR325-16		16	5/8"	17.0							
CLR325-18		18	11/16"	19.0	50.5	45.0	105.7	35.5	37.6	28.0	4.3
CLR325-20		20	3/4"	21.0							
CLR325-22		22	7/8"	23.0							
CLR325-24		24	15/16"	25.0							
CLR325-27		27	1"	28.0							

Square Tongue Terminals (Copper Terminal Body & Tin Plating)



Ordering Code	Wire Range mm ² (AWG)	Stud Size		Dimension (mm)							
		Metric	American	d2	W	F	L	E	D	d1	T
CLS22-5	22 (4)	5	#10	5.3	12.5	13.5	32.0	12.0	11.5	7.7	1.7
CLS22-6		6	1/4"	6.4							
CLS22-8		8	5/16"	8.0							
CLS38-5	38 (2)	5	#10	5.3	13.5	16.3	38.0	13.8	13.3	9.4	1.8
CLS38-6		6	1/4"	6.4							
CLS60-8	60 (1/0)	8	5/16"	8.4	16.0	20.0	49.5	18.5	15.5	11.0	2.0
CLS60-10		10	3/8"	10.5							
CLS80-8	80 (3/0)	8	5/16"	8.4	21.8	20.0	49.0	19.0	19.5	14.5	2.3
CLS80-10		10	3/8"	10.5							
CLS80-12		12	1/2"	13.0							

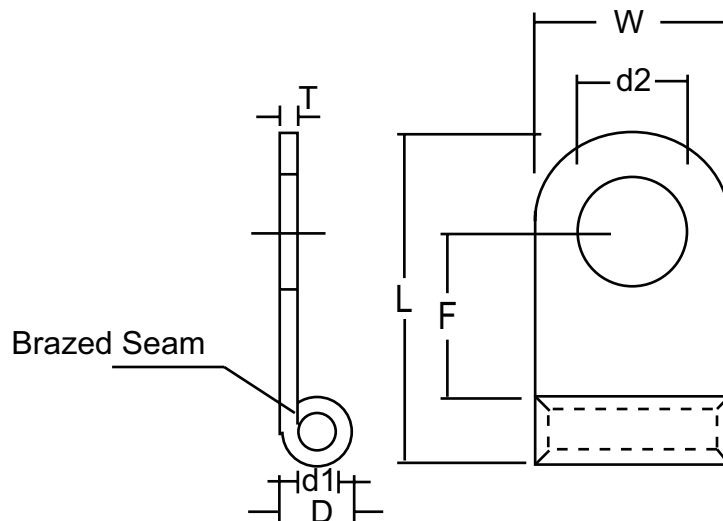


ADDIMAX Cable Lugs & Ferrules

Cable Lugs & Ferrules

Ordering Code	Wire Range	Stud Size		Dimension (mm)							
		mm ² (AWG)	Metric	American	d2	W	F	L	E	D	d1
CLS100-8	100 (4/0)	8	5/16"	8.4	21.8	21.0	53.0	20.0	22.3	16.4	2.7
CLS100-10		10	3/8"	10.5							
CLS100-12		12	1/2"	13.0							
CLS150-8	150 (250/300)	8	5/16"	8.4	22.0	22.3	61.0	26.5	26.5	19.5	3.2
CLS150-10		10	3/8"	10.5							
CLS150-12		12	1/2"	13.0							
CLS200-10	200 (400/500)	10	3/8"	10.5	36.0	22.3	72.5	31.0	32.7	24.0	4.0
CLS200-12		12	1/2"	13.0							

Flag Terminals (Copper Terminal Body & Tin Plating)

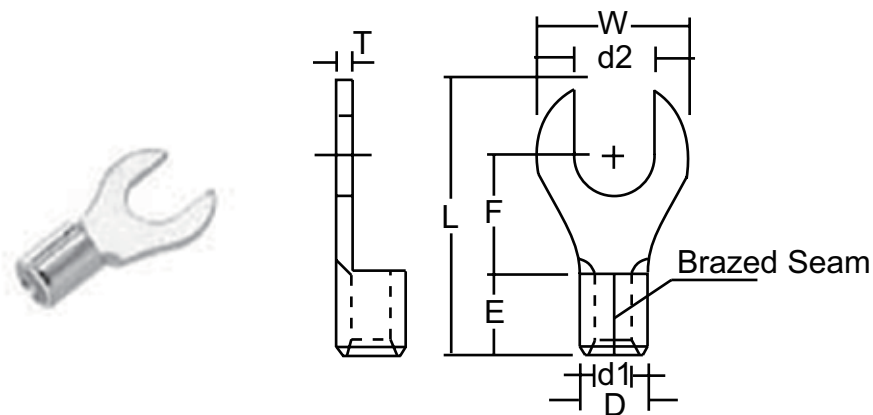


Ordering Code	Wire Range	Stud Size		Dimension (mm)						
		mm ² (AWG)	Metric	American	d2	W	F	D	L	d1
CLF1.5-5	0.5-1.5 (22-16)	5	#10	5.3	9.6	8.0	3.4	16.3	1.7	0.75
CLF2.5-5	1.5-2.5 (16-14)	5	#10	5.3	9.6	7.3	4.1	16.3	2.3	0.8
CLF2.5-6		6	1/4"	6.4						
CLF6-5	4-6 (12-10)	5	#10	5.3	9.6	7.4	5.6	17.8	3.4	1.0
CLF6-6		6	1/4"	6.4						
CLF8-5	8 (8)	5	#10	5.3	12.7	9.1	7.2	23	4.5	1.2
CLF8-6		6	1/4"	6.4						
CLF8-8		8	5/16"	8.0						

Cable Lugs & Ferrules

Ordering Code	Wire Range	Stud Size		Dimension (mm)						
		mm ² (AWG)	Metric	American	d2	W	F	D	L	d1
CLF14-6	14 (6)	6	1/4"	6.4	12.7	9.6	9.0	24.9	5.8	1.5
CLF14-8		8	5/16"	8.0	16.0	13.5		30.5		
CLF22-6	22 (4)	6	1/4"	6.4	14.0	9.7	11.5	28.2	7.7	1.7
CLF22-8		8	5/16"	8.0	17.5	13.8		34.0		
CLF38-6	38 (2)	6	1/4"	6.4	18.3	13.6	13.3	36.1	9.4	1.8
CLFS38-8		8	5/16"	8.0						
CLFM38-8		8	5/16"	10.5						
CLF60-8	60 (1/0)	8	5/16"	8.0	22.3	17.3	15.5	44.0	11.4	1.8
CLF60-10		10	3/8"	10.5						
CLF60-12		12	1/2"	13.0						
CLF70-8	70 (2/0)	8	5/16"	8.0	23.9	17.3	17.5	46.7	13.1	2.0
CLF70-10		10	3/8"	10.5						
CLF70-12		12	1/2"	13.0						
CLF80-10	80 (3/0)	10	3/8"	10.5	27.0	17.8	19.5	50.8	14.5	2.3
CLF80-12		12	1/2"	13.0						

Fork Terminals (Copper Terminal Body & Tin Plating)



Ordering Code	Wire Range	Stud Size		Dimension (mm)							
		mm ² (AWG)	Metric	American	d2	W	F	L	E	D	d1
CLFK1.5-3	0.5-1.5 (22-16)	3	#4	3.2	5.5	5.0	11.6	4.8	3.4	1.7	0.75
CLFK1.5-3.5		3.5	#6	3.7	6.6	6.3	13.5				
CLFK1.5-4		4	#8	4.3	8.0	7.0	14.8				
CLFK1.5-5		5	#10	5.3	8.0		14.8				

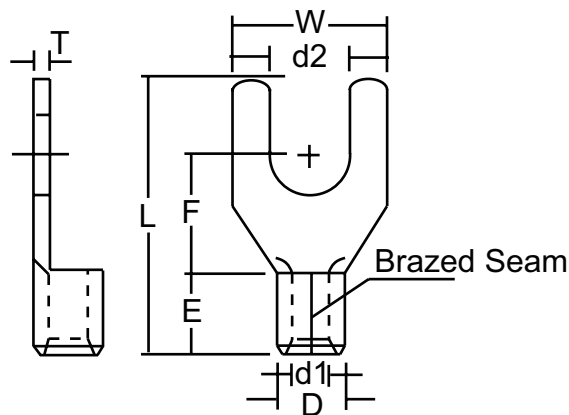


ADDIMAX Cable Lugs & Ferrules

Cable Lugs & Ferrules

Ordering Code	Wire Range	Stud Size		Dimension (mm)							
		Metric	American	d2	W	F	L	E	D	d1	T
CLFK1.5-6	0.5-1.5 (22-16)	6	1/4"	6.4	11.6	11.0	20.3	4.8	3.4	1.7	0.75
CLFK1.5-8		8	5/16"	8.4	11.6		19.4				
CLFK1.5-10		10	3/8"	10.5	15.0		13.7				
CLFK2.5-3	1.5-2.5 (16-14)	3	#4	3.2	6.6	4.7	12.0	4.8	4.1	2.3	0.8
CLFK2.5-3.5		3.5	#6	3.7		6.3	13.5				
CLFK2.5-4		4	#8	4.3	8.5	7.8	15.9				
CLFK2.5-5		5	#10	5.3	9.5	7.3	15.6				
CLFK2.5-6		6	1/4"	6.4	12.0	11.0	20.5				
CLFK2.5-8		8	5/16"	8.4			19.7				
CLFK2.5-10	10	3/8"	10.5	15.0	13.7	22.5	6.0	5.6	3.4	1.0	
CLFK6-4	4-6 (12-10)	4	#8	4.3	7.2	9.1					18.9
CLFK6-5		5	#10	5.3	9.5						18.6
CLFK6-6		6	1/4"	6.4	12.0	10.5					21.2
CLFK6-8		8	5/16"	8.4	15.0	13.5					25.4
CLFK6-10		10	3/8"	10.5			24.5				
CLFK8-3.5	8 (8)	3.5	#6	3.7	8.0	9.3	20.5	8.5	7.2	4.5	1.2
CLFK8-4		4	#8	4.3							
CLFK8-5		5	#10	5.3							

Spade Terminals (Copper Terminal Body & Tin Plating)



Ordering Code	Wire Range	Stud Size		Dimension (mm)							
		Metric	American	d2	W	F	L	E	D	d1	T
CLSD1.5-3	0.5-1.5 (22-16)	3	#4	3.2	5.7	6.5	16.0	4.8	3.4	1.7	0.75
CLSDS1.5-3.5		3.5	#6	3.7							
CLSDM1.5-3.5		3.5	#6	3.7	6.4						
CLSDL1.5-3.5		3.5	#6	3.7	7.2						

Cable Lugs & Ferrules

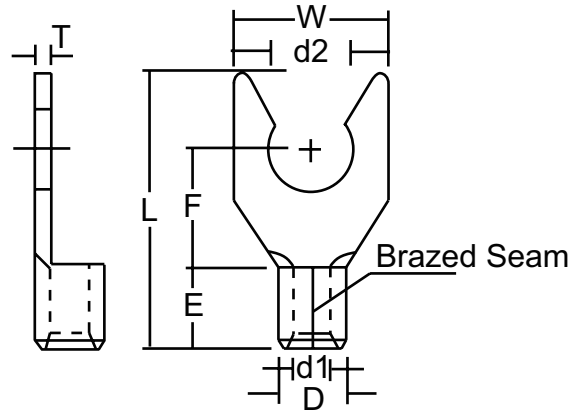
Ordering Code	Wire Range	Stud Size		Dimension (mm)								
	mm ² (AWG)	Metric	American	d2	W	F	L	E	D	d1	T	
CLSDS1.5-4	0.5-1.5 (22-16)	4	#8	4.3	6.4	6.5	16.0	4.8	3.4	1.7	0.75	
CLSDM1.5-4		4	#8	4.3	7.2							
CLSDL1.5-4		4	#8	4.3	8.1							
CLSDS1.5-5		0.5-1.5 (22-16)	5	#10	5.3	9.5	11.0	22.0	4.8	3.4	1.7	0.75
CLSDM1.5-5			5	#10	5.3							
CLSDS1.5-6			6	1/4"	6.4	12.0						
CLSDM1.5-6			6	1/4"	6.4							
CLSD2.5-3	1.5-2.5 (16-14)		3	#4	3.2	5.7	6.5	16.0	4.8	4.1	2.3	0.8
CLSDS2.5-3.5			3.5	#6	3.7							
CLSDM2.5-3.5			3.5	#6	3.7	6.0						
CLSDL2.5-3.5		3.5	#6	3.7	7.2	8.1	11.0	22.0	4.8	4.1	2.3	0.8
CLSDS2.5-4		4	#8	4.3	6.4							
CLSDM2.5-4		4	#8	4.3	7.2							
CLSDL2.5-4		1.5-2.5 (16-14)	4	#8	4.3	9.3	11.0	22.0	4.8	4.1	2.3	0.8
CLSDS2.5-5			5	#10	5.3							
CLSDM2.5-5			5	#10	5.3							
CLSDS2.5-6			6	1/4"	6.4	12.0	11.0	22.0	4.8	4.1	2.3	0.8
CLSDM2.5-6			6	1/4"	6.4							
CLSD4-3.5	2.5-4 (14-12)		3.5	#6	3.7	8.0						
CLSD4-4			4	#8	4.3							
CLSD4-5			5	#10	5.3	12.0	9.1	21.5	6.0	5.0	3.0	1.0
CLSD4-6			6	1/4"	6.4							
CLSDS6-3.5	4-6 (12-10)		3.5	#6	3.7	7.2	7.5	17.4	6.0	5.6	3.4	1.0
CLSDM6-3.5			3.5	#6	3.7	8.3	7.0	18.5				
CLSDS6-4		4	#8	4.3	7.2	7.5	17.4					
CLSDM6-4		4	#8	4.3	8.3	9.0	7.0	18.5	6.0	5.6	3.4	1.0
CLSDL6-4		4	#8	4.3								
CLSD6-5		5	#10	5.3	12.0	12.0	24.5	6.0	5.6	3.4	1.0	
CLSDS6-6		6	1/4"	6.4								
CLSDM6-6		6	1/4"	6.4	14.0	10.5	23.5	6.0	5.6	3.4	1.0	
CLSD6-8		8	5/16"	8.4								
CLSD8-5		8	5	#10	5.3	10.5	8.1	20.8	8.5	7.2	4.5	1.2
CLSD8-6	(8)	6	1/4"	6.4	10.8	8.6	22.5					
CLSD14-6	14	6	1/4"	6.4	11.0	10.7	25.5	10.5	9.0	5.8	1.5	
CLSD14-8	(6)	8	5/16"	8.4	13.8	10.7	28.5					



ADDIMAX Cable Lugs & Ferrules

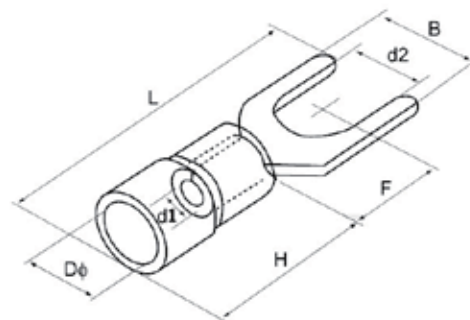
Cable Lugs & Ferrules

Locking Spade Terminals (Copper Terminal Body & Tin Plating)



Ordering Code	Wire Range	Stud Size		Dimension (mm)							
		mm ² (AWG)	Metric	American	d2	W	F	L	E	D	d1
CLL1.5-3.5	0.5-1.5 (22-16)	3.5	#6	3.7	6.4	6.5	16.0	4.8	3.4	1.7	0.75
CLLS1.5-4		4	#8	4.3	7.2						
CLLM1.5-4		4	#8	4.3	8.1						
CLLS1.5-5		5	#10	5.3	9.5						
CLLM1.5-5		5	#10	5.3	9.5						
CLL2.5-3.5	1.5-2.5 (16-14)	3.5	#6	3.7	6.0	6.5	16.0	4.8	4.1	2.3	0.8
CLLS2.5-4		4	#8	4.3	7.2						
CLLM2.5-4		4	#8	4.3	8.1						
CLLS2.5-5		5	#10	5.3	9.3						
CLLM2.5-5		5	#10	5.3	9.3						
CLL6-3.5	4-6 (12-10)	3.5	#6	3.7	8.3	7.0	18.2	6.0	5.6	3.4	1.0
CLL6-4		4	#8	4.3							
CLL6-5		5	#10	5.3							
CLL6-6		6	1/4"	6.4							

Insulated Furcate (Spade) Terminals (Copper Terminal Body & PVC/Nylon Insulation)



Cable Lugs & Ferrules

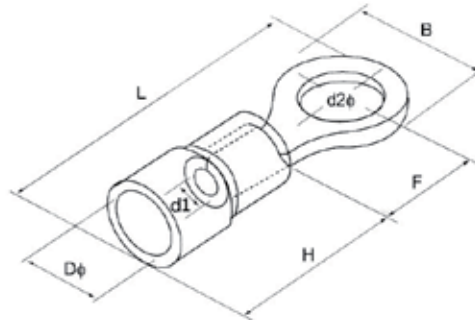
Ordering Code	Wire Range	Stud Size		Dimension (mm)						Colour
	mm ² (AWG)	d2 (mm)	American	B	L	F	H	d1	DΦ	
CLIF1.5-3.2	0.5-1.5 (22-16)	3.2	#4	5.7	21.0	6.5	10.0	1.7	4.0	Red
CLIFS1.5-3.7		3.7	#6	5.7	21.0	6.5				
CLIFM1.5-3.7		3.7	#6	6.4	21.0	6.5				
CLIFS1.5-4.3		4.3	#8	6.4	21.0	6.5				
CLIFM1.5-4.3		4.3	#8	7.2	21.0	6.5				
CLIFL1.5-4.3		4.3	#8	8.1	21.0	6.5				
CLIFS1.5-5.3		5.3	#10	8.1	21.0	6.5				
CLIFM1.5-5.3		5.3	#10	9.5	21.0	6.5				
CLIFS1.5-6.4		6.4	1/4"	9.5	21.0	6.5				
CLIFM1.5-6.4		6.4	1/4"	12.0	27.0	11.0				
CLIF2.5-3.2	1.5-2.5 (16-14)	3.2	#4	5.7	21.0	6.5	10.0	2.3	4.5	Blue
CLIFS2.5-3.7		3.7	#6	5.7	21.0	6.5				
CLIFM2.5-3.7		3.7	#6	6.0	21.0	6.5				
CLIFS2.5-4.3		4.3	#8	6.4	21.0	6.5				
CLIFM2.5-4.3		4.3	#8	7.2	21.0	6.5				
CLIFL2.5-4.3		4.3	#8	7.9	21.0	6.5				
CLFS2.5-5.3		5.3	#10	7.9	21.0	6.5				
CLFM2.5-5.3		5.3	#10	9.3	21.0	6.5				
CLIFS2.5-6.4		6.4	1/4"	9.3	21.0	6.5				
CLIFM2.5-6.4		6.4	1/4"	12.0	27.0	11.0				
CLIF4-3.7	2.5-4 (12-10)	3.7	#6	8.0	25.3	7.0	13.0	3.0	6.3	Black
CLIF4-4.3		4.3	#8	8.0	25.3	7.0				
CLIF4-5.3		5.3	#10	8.0	25.3	7.0				
CLF4-6.4		6.4	1/4"	12.0	28.5	12.1				
CLIF6-3.7	4-6 (12-10)	3.7	#6	8.3	25.5	7.0	13.0	3.4	6.4	Yellow
CLIFS6-4.3		4.3	#8	8.3	24.4	7.5				
CLIFM6-4.3		4.3	#8	9.0	25.5	7.0				
CLIF6-5.3		5.3	#10	9.0	25.5	7.0				
CLIFS6-6.4		6.4	1/4"	9.0	25.5	7.0				
CLIFM6-6.4		6.4	1/4"	12.0	31.5	12.0				
CLIF6-8.4		8.4	5/16"	14.0	30.5	10.5				



ADDIMAX Cable Lugs & Ferrules

Cable Lugs & Ferrules

Insulated Ring Terminals (Copper Terminal Body & PVC/Nylon Insulation)

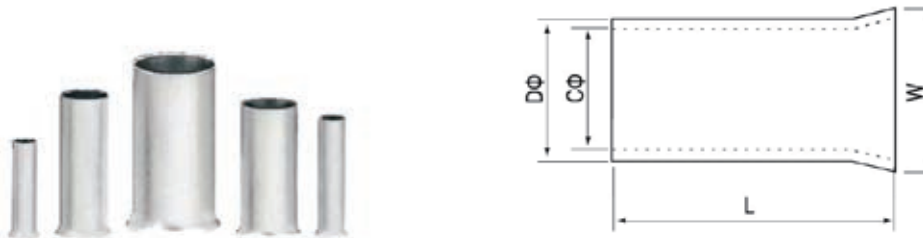


Ordering Code	Wire Range mm ² (AWG)	Stud Size		Dimension (mm)						Colour
		d2 (mm)	American	B	L	F	H	d1	Dφ	
CLIR1.5-3.2	0.5-1.5 (22-16)	3.2	#4	5.5	17.5	5.0	10.0	1.7	4.0	Red
CLIRS1.5-3.7		3.7	#6	5.5	17.5	5.0				
CLIRM1.5-3.7		3.7	#6	6.6	19.4	6.3				
CLIRL1.5-3.7		3.7	#6	8.0	20.8	7.0				
CLIRS1.5-4.3		4.3	#8	6.6	19.4	6.3				
CLIRM1.5-4.3		4.3	#8	8.0	20.8	7.0				
CLIRS1.5-5.3		5.3	#10	8.0	20.8	7.0				
CLIRL1.5-5.3		5.3	#10	11.6	26.8	11.0				
CLIR1.5-6.4		6.4	1/4"	11.6	26.8	11.0				
CLIR1.5-8.4		8.4	5/16"	11.6	26.8	11.0				
CLIR1.5-10.5		10.5	3/8"	13.6	30.5	13.9				
CLIR1.5-13		13.0	1/2"	19.2	35.4	16.0				
CLIR2.5-3.2	1.5-2.5 (16-14)	3.2	#4	6.6	17.8	4.8	10.0	2.3	4.5	Blue
CLIRS2.5-3.7		3.7	#6	6.6	17.8	4.8				
CLIRM2.5-3.7		3.7	#6	6.6	19.4	6.3				
CLIRL2.5-3.7		3.7	#6	8.5	21.8	7.4				
CLIRS2.5-4.3		4.3	#8	6.6	19.4	6.3				
CLIRM2.5-4.3		4.3	#8	8.5	21.8	7.8				
CLIRS2.5-5.3		5.3	#10	8.5	21.8	7.8				
CLIRM2.5-5.3		5.3	#10	9.5	21.8	7.3				
CLIR2.5-6.4		6.4	1/4"	12.0	26.8	11.0				
CLIR2.5-8.4		8.4	5/16"	12.0	26.8	11.0				
CLIR2.5-10.5		10.5	3/8"	13.6	30.5	13.9				
CLIR2.5-13		13.0	1/2"	19.2	35.4	16.0				
CLIR4-4.3	2.5-4 (14-12)	4.3	#8	8.0	25.0	8.0	13.0	3.0	6.3	Black
CLIRS4-5.3		5.3	#10	8.0	25.0	8.0				
CLIRL4-5.3		5.3	#10	12.0	28.4	9.4				
CLIR4-6.4		6.4	1/4"	12.0	28.4	9.4				

Cable Lugs & Ferrules

Ordering Code	Wire Range	Stud Size		Dimension (mm)						Colour
	mm ² (AWG)	d2 (mm)	American	B	L	F	H	d1	DΦ	
CLIR6-3.7	4-6 (12-10)	3.7	#6	7.2	22.7	6.1	13.0	3.4	6.4	Yellow
CLIRS6-4.3		4.3	#8	7.2	22.7	6.1				
CLIRM6-4.3		4.3	#8	9.5	26.0	8.3				
CLIR6-5.3		5.3	#10	9.5	26.0	8.3				
CLIR6-6.4		6.4	1/4"	12.0	32.0	13.0				
CLIR6-8.4		8.4	5/16"	15.0	34.0	13.3				
CLIR6-10.5		10.5	3/8"	15.0	34.0	13.3				
CLIR6-13		13.0	1/2"	19.2	38.6	16.0				
CLIR6-15		15.0	9/16"	32.0	25.2	54.2				
CLIR6-17		17.0	5/8"	32.0	25.2	54.2				
CLIR6-21		21.0	3/4"	32.0	25.2	54.2				

Naked Wire Ferrules (Copper Terminal Body)



Ordering Code	Wire Size	Dimension (mm)			
	mm ² (AWG)	L	DΦ	CΦ	W
CFN0506	0.5 (22)	6.0	1.3	1.0	1.7
CFN0508		8.0			
CFN0510		10.0			
CFN0512		12.0			
CFN7506	0.75 (20)	6.0	1.5	1.2	1.9
CFN7508		8.0			
CFN7510		10.0			
CFN7512		12.0			
CFN1006	1.0 (18)	6.0	1.7	1.4	2.2
CFN1008		8.0			
CFN1010		10.0			
CFN1012		12.0			

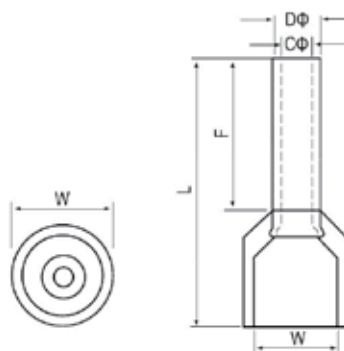


ADDIMAX Cable Lugs & Ferrules

Cable Lugs & Ferrules

Ordering Code	Wire Size mm ² (AWG)	Dimension (mm)			
		L	DΦ	CΦ	W
CFN1507	1.5 (16)	7.0	2.0	1.7	2.5
CFN1508		8.0			
CFN1510		10.0			
CFN1512		12.0			
CFN1518		18.0			
CFN2507	2.5 (14)	7.0	2.6	2.3	3.3
CFN2508		8.0			
CFN2510		10.0			
CFN2512		12.0			
CFN2518		18.0			
CFN4009	4.0 (12)	9.0	3.2	2.8	3.9
CFN4012		12.0			
CFN4018		18.0			
CFN6010	6.0 (10)	10.0	3.9	3.5	4.7
CFN6012		12.0			
CFN6015		15.0			
CFN6018		18.0			
CFN10-12	10.0 (8)	12.0	4.9	4.5	5.8
CFN10-15		15.0			
CFN10-18		18.0			
CFN16-12	16.0 (6)	12.0	6.2	5.8	7.2
CFN16-15		15.0			
CFN16-18		18.0			
CFN25-16	25.0 (4)	16.0	7.9	7.5	9.1
CFN25-22		22.0			
CFN35-16	35.0 (2)	16.0	8.7	8.3	10.2
CFN35-25		25.0			
CFN50-20	50.0 (1)	20.0	10.9	10.3	12.7
CFN50-25		25.0			

Insulated Wire Ferrules (Copper Terminal Body & Nylon Insulation)



Cable Lugs & Ferrules

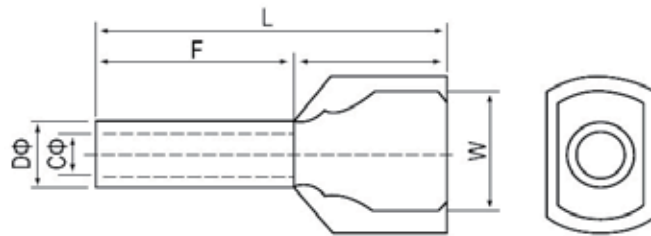
Ordering Code	Wire Size	Dimension (mm)					French Colour	German Colour
	mm ² (AWG)	F	L	W	DΦ	CΦ		
CFI0506	0.5 (22)	6.0	12.0	2.6	1.3	1.0	White	Orange
CFI0508		8.0	14.0					
CFI0510		10.0	16.0					
CFI0512		12.0	18.0					
CFI7506	0.75 (20)	6.0	12.3	2.8	1.5	1.2	Blue	White
CFI7508		8.0	14.3					
CFI7510		10.0	16.3					
CFI7512		12.0	18.3					
CFI1006	1.0 (18)	6.0	12.3	3.0	1.7	1.4	Red	Yellow
CFI1008		8.0	14.3					
CFI1010		10.0	16.3					
CFI1012		12.0	18.3					
CFI1508	1.5 (16)	8.0	14.3	3.5	2.0	1.7	Black	Red
CFI1510		10.0	16.4					
CFI1512		12.0	18.3					
CFI1518		18.0	24.3					
CFI2508	2.5 (14)	8.0	15.4	4.0	2.6	2.3	Gray	Blue
CFI2510		10.0	17.4					
CFI2512		12.0	19.4					
CFI2518		18.0	25.4					
CFI4009	4.0 (12)	9.0	16.4	4.5	3.2	2.8	Orange	Gray
CFI4012		12.0	19.4					
CFI4018		18.0	25.4					
CFI6012	6.0 (10)	12.0	20.5	6.0	3.9	3.5	Green	Black
CFI6018		18.0	26.5					
CFI10-12	10.0 (8)	12.0	20.8	7.5	4.9	4.5	Brown	Mink
CFI10-18		18.0	26.8					
CFI16-12	16.0 (6)	12.0	22.0	8.7	6.2	5.8	Ivory	Green
CFI16-18		18.0	28.0					



ADDIMAX Cable Lugs & Ferrules

Cable Lugs & Ferrules

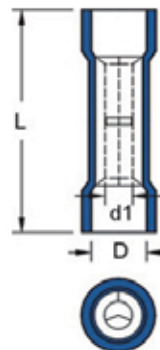
Insulated Double-Wire Ferrules (Copper Terminal Body & Nylon Insulation)



Ordering Code	Conductor mm ² (AWG)	Dimension (mm)						French Colour	German Colour
		F	L	W	B	DΦ	CΦ		
CFID0508	2×0.5	8.0	14.5	5	6.5	1.8	1.5	White	Orange
CFID7508	2×0.75	8.0	14.7	5.5	6.7	2.1	1.8	Blue	Gray
CFID7510	2×0.75	10.0	16.7	5.5	6.7	2.1	1.8	Blue	Gray
CFID1008	2×1.0	8.0	15.1	5.5	7.1	2.3	2.0	Red	Red
CFID1010	2×1.0	10.0	17.1	5.5	7.1	2.3	2.0	Red	Red
CFID1508	2×1.5	8.0	15.5	6.4	7.5	2.6	2.3	Black	Yellow
CFID1512	2×1.5	12.0	19.5	6.4	7.5	2.6	2.3	Black	Yellow
CFID2510	2×2.5	10.0	18.5	8.0	8.5	3.3	2.9	Gray	Blue
CFID2513	2×2.5	13.0	21.5	8.0	8.5	3.3	2.9	Gray	Blue
CFID4012	2×4.0	12.0	23.1	8.8	11.1	4.2	3.8	Orange	Gray
CFID6014	2×6.0	14.0	26.1	9.5	12.1	5.3	4.9	Green	Yellow
CFID10-14	2×10.0	14.0	26.6	12.6	12.6	6.9	6.5	Brown	Red
CFID16-14	2×16.0	14.0	31.3	19.0	17.3	8.7	8.3	Ivory	Blue

Butt Splice Connectors (Copper Terminal Body & Vinyl Insulation)

-Seamless Barrel Type

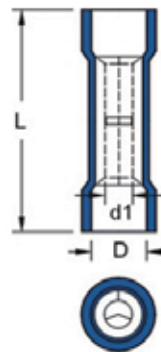


Cable Lugs & Ferrules

Ordering Code	Wire Size	Dimension (mm)			Colour
	mm ² (AWG)	L	D	d1	
CBVT1	0.5-1.5 (22-16)	24.2	4.0	1.7	Red
CBVT2	1.5-2.5 (16-14)	24.2	4.5	2.3	Blue
CBVT5	4-6 (12-10)	26.0	6.3	3.4	Yellow
CBVT8	8 (8)	35.5	8.5	4.5	Red
CBVT14	14 (6)	45.0	10.5	5.9	Blue
CBVT22	22 (4)	52.5	12.4	7.8	Yellow
CBVT38	38 (2)	55.0	15.5	9.5	Red

Butt Splice Connectors (Copper Terminal Body & Vinyl Insulation)

-Butted Seam Type



Ordering Code	Wire Size	Dimension (mm)			Colour
	mm ² (AWG)	L	D	d1	
CBV1	0.5-1.5 (22-16)	24.6	4.0	1.7	Red
CBV2	1.5-2.5 (16-14)	24.6	4.5	2.3	Blue
CBV5	4-6 (12-10)	26.5	6.3	3.4	Yellow



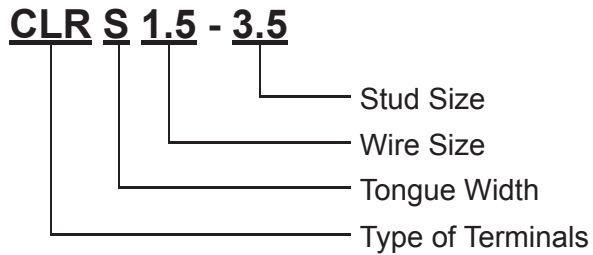
ADDIMAX Cable Lugs & Ferrules

Cable Lugs & Ferrules

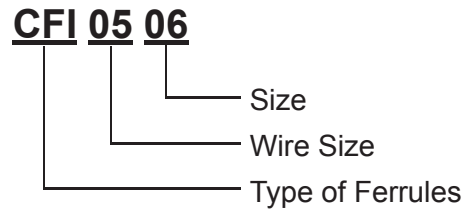


Order Code Index

» Terminals



» Connectors



Type	Type of Terminals	Tongue Width	Wire Size	Stud Size
Copper Tubular Lugs	CL		1.5	5
Ring Terminals	CLR	S-small M-medium L-large	1.5	3
Square Tongue Terminals	CLS		22	5
Flag Terminals	CLF	S-small M-medium	1.5	5
Fork Terminals	CLFK		1.5	3
Spade Terminals	CLSD	S-small M-medium L-large	1.5	3
Locking Spade Terminals	CLL	S-small M-medium	1.5	3.5
Insulated Furcate (Spade) Terminals	CLIF	S-small M-medium L-large	1.5	3.2
Insulated Ring Terminals	CLIR	S-small M-medium L-large	1.5	3.2
Type	Type of Connectors	Tongue Width	Wire Size	Size
Naked Wire Ferrules	CFN		05	06
Insulated Wire Ferrules	CFI		05	06
Insulated Double-Wire Ferrules	CFID		05	08
Seamless Barrel Type Butt Splice Connectors	CBVT		1	
Butted Seam Type Butt Splice Connectors	CBV		1	

Ratchet Hand Tools

» 2000A



Crimping All Insulated Terminals

1. 22-16 AWG (1.25mm²)
2. 16-14 AWG (2mm²)
3. 12-10 AWG (5.5mm²)

» 2000B



Crimping All Double Crimp Insulated Ring/Spade/Pin Terminals

1. 22-16 AWG (1.25mm²)
2. 16-14 AWG (2mm²)
3. 12-10 AWG (5.5mm²)

» 2000C



Crimping All Single Crimp Insulated Female/Male Disconnectors

1. 22-16 AWG (1.25mm²)
2. 16-14 AWG (2mm²)
3. 12-10 AWG (5.5mm²)

» 2000D-1



Crimping Non-Insulated Terminals

1. 22-16 AWG (1.25mm²)
2. 16-14 AWG (2mm²)
3. 12-10 AWG (5.5mm²)
4. 8 AWG (8mm²)

» 2000D-2



Crimping Open Barrel Terminals

1. 22-16 AWG (1.25mm²)
2. 16-14 AWG (2mm²)
3. 12-10 AWG (5.5mm²)



ADDIMAX Cable Lugs & Ferrules Ratched Hand Tools

» 2000D-3



Crimping Copper Tubular Lugs

1. 0.2-2.5mm²
2. 4-6mm²
3. 10mm²
4. 16mm²

» 2000F



Crimping Insulated Flag Terminals

1. 22-16 AWG (1.25mm²)
2. 16-14 AWG (2mm²)

» 2000FA



Crimping Insulated AMP-Type Flag Terminals

1. 22-16 AWG (1.25mm²)
2. 16-14 AWG (2mm²)

» 2000L



Crimping Cord End Terminals

- | | |
|------------------------|-----------------------|
| 1. 0.5mm ² | 4. 1.5mm ² |
| 2. 0.75mm ² | 5. 2.5mm ² |
| 3. 1.0mm ² | 6. 4.0mm ² |

» 2000M



Crimping Cord End Terminals

1. 6mm²
2. 10mm²
3. 16mm²

» 2000N



Crimping Cord End Terminals

1. 25mm²
2. 35mm²

Ratchet Hand Tools

» 2000P



Crimping Cord End Terminals

1. 25mm²
2. 50mm²

» 2001



8" 5-Way Crimping Tool

1. Crimps insulated terminals
2. Bolts cutter
3. Crimps ignition terminals
4. Wire cutter
5. Wire stripper

» 90512



1. Wire cutter
2. Crimps insulated terminals
3. Bolts cutter
4. Crimps non-insulated terminals
5. Wire stripper

» 2045D



Crimping Copper Lugs & Non-Insulated Terminals

1. 22-16 AWG (1.25mm²)
2. 16-14 AWG (2mm²)
3. 12-10 AWG (5.5mm²)
4. 8 AWG (8mm²)
5. 6 AWG (14mm²)

» 2045E



Crimping Copper Lugs & Non-Insulated Terminals

1. 12-10 AWG (6mm²)
2. 8 AWG (10mm²)
3. 6 AWG (16mm²)
4. 4 AWG (25mm²)

» 8-060



Crimping Cord End Terminals

1. 0.25mm² - 0.75mm²
2. 1.0mm² - 1.5mm²
3. 2.5mm²
4. 4.0mm²
5. 6.0mm²



ADDIMAX Cable Lugs & Ferrules Wire Stripper

» 2028C



Model No.	2028C-1	2028C-2	2028C-3	2028C-4
Cut Range	10-20AWG	10-22AWG	16-26AWG	20-30AWG

» 2061



Ratcheting Cable Cutter

Cuts Copper & Aluminum Cable Up to 750MCM (380mm²)

» 2081



Crimping Cord End Terminals

- | | |
|------------------------|-----------------------|
| 1. 0.75mm ² | 5. 4.0mm ² |
| 2. 1.0mm ² | 6. 6.0mm ² |
| 3. 1.5mm ² | 7. 10mm ² |
| 4. 2.5mm ² | |

» 126J



Crimping All Insulated Terminals

1. 22-16 AWG (1.25mm²)
2. 16-14 AWG (2mm²)
3. 12-10 AWG (5.5mm²)

» STG200



Steel Tie Gun for Tensioning and Cut Off Ball Lock Type and Ladder Type, in All Size of Width

» 731B



Heavy Duty Wire Stripper

Hydraulic Hang Tools

» HDC38A



Heavy Duty Crimping Tool for Copper Terminals, Lugs and Splices Durable for: Insulated: 8/14/22/38mm² (8/6/4/2 AWG)

» 150



For Terminating Cable Lugs from 10mm²-120mm² with Non-Ratchet Screw Adjustment. Design for Aluminum (8 AWG to 4/0) and Copper (8 AWG to 250 MCM)

» 150B



For Terminating Cable Lugs from 25mm²-150mm² Hexagen Crimping with Moveable and Revolving Dies

» 150D



For Non-Insulated Terminals Up to 185mm²

» 300



For Crimping Connector Up to 400mm²
30mm Jaw Opening
Fiberglass Handles

UNITED KINGDOM

Marchants Industrial Centre,
Mill Lane, Laughton, Lewes,
East Sussex, BN8 6AJ, UK
Tel: 44 (0) 207 419 5087
Fax: 44 (0) 207 831 9489
Email: sales@caledonian-cables.co.uk
www.caledonian-cables.co.uk

HONG KONG

Unit B 22/F CMA Building,
64-66 Connaught Road Central,
Hong Kong
Tel: 852 36527508
Fax: 852 35834834
Email: hk@caledonian-cables.co.uk
www.caledonian-cables.co.uk

